



## WHOLE HOUSE FILTER MODEL: WH-5

## INSTRUCTION SHEET

### HEAVY-DUTY WHOLE HOUSE WATER FILTER

#### FEATURES:

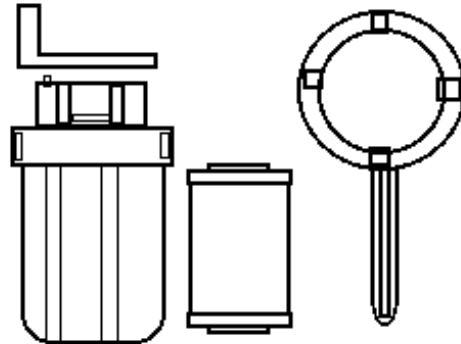
1. Removes sediment, rust, 5 micron rating, washable
2. High-Flow with minimal pressure drop, 1" inlet
3. Dimensions: 13" x 7" dia
4. Pressure relief /bleed button on inlet side of cap.
5. Heavy-duty reinforced FDA grade polypropylene
6. Washable, reusable

#### BENEFITS:

7. Reduces cloudy water caused by sediment
8. Reduces wear on expensive faucets
9. Reduces iron stains caused by suspended iron
10. Reduces staining in sinks, toilets and showers
11. Eliminates plugged faucet aerators
12. Ideal for homes, farms, wells, restaurants, pools, spas

#### Replacement Filter:

Big Blue 5 micron pleated sediment filter part no. 277 \$18



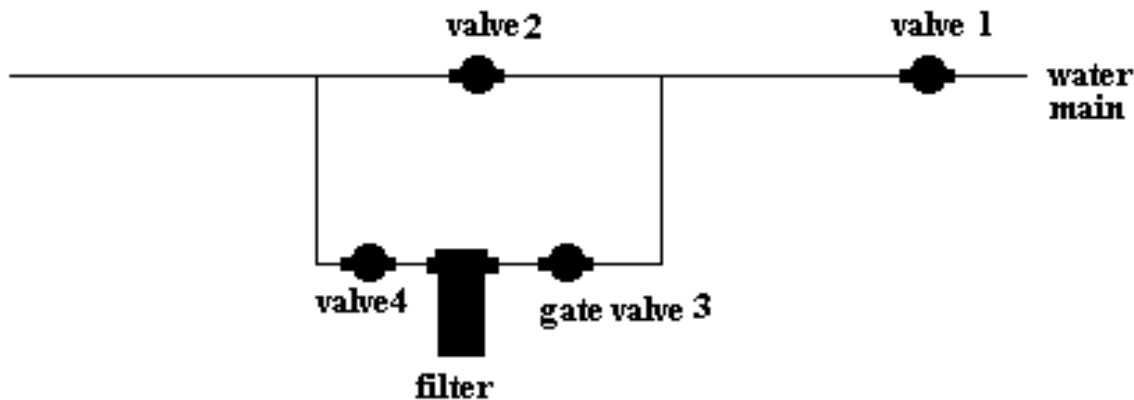
#### Complete Kit includes:

1. Big Blue Heavy-duty Housing
2. Big Blue 5 micron pleated sediment filter
3. Heavy-duty mounting bracket
4. Filter Housing Wrench

## INSTALLATION:

**NOTE:** If water main temperature goes down to 40 F, the filter housing may break due to water expansion or frozen pipe. Take precaution to avoid expose filter to near freezing temperature. If water temperature gets to around 40 F, you must temporary shut off the filter and empty the water inside the filter housing

1. WH-5 is designed to be installed at the water main. You need to be capable of doing plumbing at the water main or we highly recommend having a plumber to install this filter.
2. The inlet and outlet of the filter are 1" , you need to purchase the appropriate connection fittings yourself.
3. Please refer to the following diagram for connection (must install gate valve 2, valve 3, valve 4)



**GATE VALVE POSITION:**

1. Using WH-5 to filter water, position of the gate valves are: Valve 1, Valve 3, Valve 4 OPEN, Valve 2 CLOSE
2. Bypass WH-10 filter, positions of the gate valves are: Valve 1, Valve2 OPEN, Valve 3, Valve 4 CLOSE.

**PROCEDURE FOR FILTER REPLACEMENT**

**Note:** You can use garden hose to spray off large sediment, rust particles, the pleated filter can be reused. Number of times the filter can be reused depending on the water condition.

1. Turn Valve 3, Valve 4 CLOSE, Valve 2 OPEN
2. Press the pressure relief button (red button on top of filter housing) to release pressure.
3. Use filter wrench to open up the housing.
4. Replace Big Blue 5 micron pleated sediment filter part no. 277
5. Make sure the O-ring is in place.
6. Put some silicon-based lubricant around O-ring and around housing threaded portion. ie. Vaseline
7. Screw on the filter housing using wrench
8. Turn on gate valve 3 slowly and observe any leaks.
9. If there is leak from housing, redo procedure #3 to #7

For technical support, please 714-953-9866 or 888-633-7972