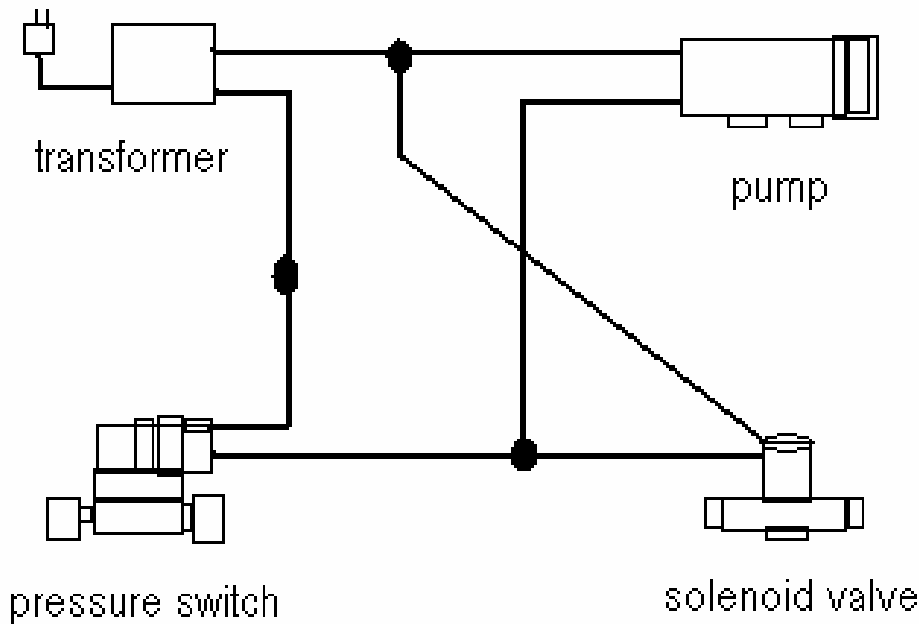


ELECTRICAL CONNECTION DIAGRAM for #752 Booster Pump



TSO: full tank shut-off switch, pressure switch
ESO: electronic shut-off valve, solenoid valve

Automatic mode#1 (output water going into a container or sump with a float valve)

- Turn on water supply and plug in pump to electrical outlet, then the system makes water,
- If you have a container that has a float valve, when the water level reaches to the float valve, the pump shuts off and the solenoid valve would turn off the water automatically. When the water level drops then the pump turns back on and the solenoid valve turns on the water supply.

Automatic mode#2 (output water going to a pressure tank)

- Turn on the water supply and plug in pump to electrical outlet, then the system makes water
- If you connect the output to a pressure tank, then when the pressure tank is full or reaches 45psi, then the pressure switch will switch off the pump, and solenoid valve would shut off the water supply.

Semi-Automatic mode: Same as Automatic Mode#1, #2 except plug in the transformer to a timer, like (the Christmas light timer to control when to turn on/off)

Manual mode:

- Turn on water supply manually,
- plug in pump to electricity manually,
- when done,
- turn off water supply manually,
- unplug the transformer or turn off power switch manually when using a power strip

*** **Plug in** a electronic device to check the electrical outlet first to see if there is electricity, and it is not control by a switch like garbage disposal outlet under the sink.